

Kumara Environmental Action

Laurie Collins, Beach Road,
Kumara - Ph: (03) 7369 926

Fluoride Action Group Hokitika

Jackie Douglas, 70 Stafford Street,
Hokitika. Ph: (03) 755 7740

11 November 2008

The Mayor and Councillors
Westland District Council
Private Bag 704
Hokitika 7842

| | | | | | | | | |
|----|-----|-----|----|-----|----|-----|-----|-----|
| GM | HWM | MFR | MO | MAC | MF | MPA | OSD | ENG |
| | | | | | | | | |

27 Nov 2008

Dear Mayor and Councillors

Re: Water Catchment Exclusion Zones for 1080 Use

Westland District Council has an obligation to care for the wellbeing of the community it serves. This letter is a written request asking you to please ensure that:


- **Water Catchment Areas** are clearly Identified, from ridgeline to ridgeline, to ensure exclusion from 1080 (Sodium MonoFluoro Acetate) poison drops
- **Water Catchment Areas** are Protected/Excluded from 1080 (Sodium MonoFluoro Acetate)

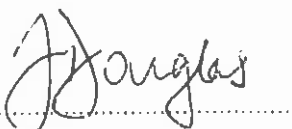
It is the intention of our committees to later provide a submission in support of the need for clear identification and protection of our waterways, in their function as 'catchment areas' for 'safe and poison-free' drinking water. Prior to proceeding we wish to gauge Council's view on its willingness to protect the water catchment areas by excluding them from future poisoning programmes using 1080. We believe a precedent has been set by TBfree New Zealand by agreeing to exclude the water catchment area for Kumara's public water supply. We seek the exclusion of all of Westland District Council's public water supply catchment areas from all future 1080 poisoning programmes.

Attached please find, for your information, the current definition of a 'Water Catchment Area' as supplied by Mr V C Newcombe - Health Protection Officer, Community & Public Health, West Coast.

Please can you advise our members, by way of written response, that the above matters will be raised with Council requesting a decision to exclude the catchment areas for Council-provided drinking water.

Yours sincerely

Laurie Collins 

Jackie Douglas 

31/10/08

West Coast Office

Fluoride Action Group
70 Stafford St
Hokitika

Att:
Karen Prendergast.

Dear Madam

I refer to your letter of 28/10/08 requesting information.

The Environmental Risk Management Authority has placed a number of conditions on the use of 1080 which are designed to prevent contamination of drinking water supplies. I quote from their articles.

For example, Additional Control 7 states that aircraft engaged in aerial application of 1080 must not fly over a public drinking water supply. A public drinking water supply is defined at the start of Appendix 2 as:

"public drinking water supply includes drinking water supply reservoirs, treatment plants and storage facilities" (page 152 of the 1080 Decision)

Subsection 1(c) of this control applies to areas which do not meet the definition of public drinking water supply. It states that aircraft engaged in aerial application of 1080 must not fly over a:

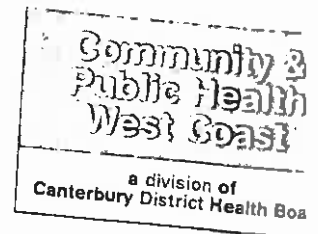
"waterway that is less than 100 meters upstream of a point of extraction from a water source for a drinking water supply (not being a water supply exclusively for stock)"

Other Safety Precautions

1080 operations are also subject to permission conditions set by the Ministry of Health permissions. These include conditions (including appropriate exclusion zones) for the protection of the local drinking water supplies.

Identifying the areas appropriate for exclusion zones for each water supply will be done jointly by the owner of the water supply, the operator and the Medical Officer of Health (MOH).

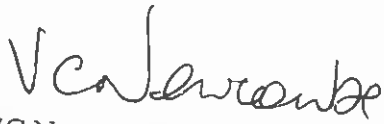
To achieve this each individual application is looked at and conditions are made to suit that particular water supply.



The following is taken from the application form that an applicant must fill out for MOH permission.

A drinking water catchment is defined as "Any area from which rainfall flows into a body of water, that is *proximate* enough to an abstraction point which supplies water for human consumption, that it can be said that the water is drawn from that area". Public water supply means "All water supplies that are not to self-supplied buildings".

Yours sincerely,

A handwritten signature in black ink, appearing to read "VC Newcombe". The signature is written in a cursive style with a large initial "V".

VC Newcombe
Health Protection Officer.

5 Alpine View
 Hokitika
 9th November 2008

Mr Robin Reeves
 General Manager
 Westland District Council
 Hokitika

| | | | | | | | | |
|-------------------------------------|-----|-----|----|-----|----|-------------------------------------|-----|-----|
| GM | HWM | MPR | MC | MAC | MF | MPA | CSC | ENG |
| <input checked="" type="checkbox"/> | | | | | | <input checked="" type="checkbox"/> | | |

Di - acknowledge + cl agenda.

9 NOV 2008

Dear Robin

I wish to apply for leave of absence from Council as from January 2009, returning to resume my Council duties November 2009. I believe my plans for extensive world travel will enable me to extend my knowledge concerning local governance and alternative means of delivering community services. I will be taking a keen interest in the diversity of local governance as I travel and anticipate that I will utilize these skills if I am granted this ten-month leave of absence.

I remain confident that Council will function effectively with one less Councillor over this period and those members after consideration will grant me this request for leave of absence.

Yours sincerely



Peter Davidson

RDS L

10 November 2008

Rob Daniels
Westland District Council
Private Bag 704
Hokitika

| | | | | | | | | | | |
|--|--|--|-----|----|-----|----|-----|-----|-----|--|
| | | | MPR | MO | MAC | MF | MPA | CSC | ENG | |
| | | | | | | | | | | |



6DC630.00

Dear Rob

Consultation on Gates of Haast Bridge Replacement - State Highway 6

Opus International Consultants (Opus), on behalf of the New Zealand Transport Agency (formerly Transit) is currently undertaking the investigation and reporting on the feasibility of improvements at the Gates of Haast, South Westland.

The proposal is to realign the highway and to construct a new two lane bridge to bypass the landslide and river erosion/scour section along the north bank adjacent to the existing bridge. The objective of the project is to improve the safety of road users, improve travel efficiency and to lower bridge and road maintenance costs.

If you have any comment, or specific concerns or expectations relating to proposed Gates of Haast Bridge and highway alignment, then we would welcome your views.

To assist you in providing any comments, we have enclosed a brief feedback form, a scheme plan and an artist's impression showing the proposed alignment and new bridge. We would appreciate if you could return the feedback form in the reply-paid envelope, by **Friday 28 November 2008**.

If you have any further questions or queries, please contact Steve Baker on (03) 363 5400 or email steve.baker@opus.co.nz. Any correspondence can be forwarded to Opus International Consultants, PO Box 1482, Christchurch.

Thank you for taking the time to consider the enclosed information and for providing feedback on the proposal.

Steve Baker
Team Leader – Environmental Management



CONSULTATION ON GATES OF HAAST BRIDGE REPLACEMENT – State Highway 6

OCTOBER 2008

We want to know what you think.

Opus International Consultants (Opus), on behalf of the NZ Transport Agency (NZTA) is currently investigating and reporting on the feasibility of improvements at the Gates of Haast, South Westland.

A variety of options to improve the safety, travel efficiency, network security, and maintenance costs at the Gates of Haast Bridge have previously been explored. Six improvement options were identified in a 2006 scoping report. Five of these options, following their initial assessment, were not considered feasible.

Only one option is deemed to be feasible to meet the objectives of improving the Gates of Haast Bridge. This option is to realign the highway and construct a new two-lane bridge to bypass the landslide and river erosion/scour section along the north bank adjacent to the existing bridge.

The objective of the project is to improve the safety of road users, improve travel efficiency and to lower bridge and road maintenance costs.

Why are we writing to you?

During the initial scoping of the project, we consulted with stakeholders and interested parties who have knowledge

of the site. The consultation sought general comments and feedback to help us identify and eliminate potential options. We appreciate that you may have previously provided comments during the initial scoping of options for the Gates of Haast Bridge.

However, as part of the current investigation and reporting for this project, we would like to consult further with stakeholders and other interested parties on the preferred option. This consultation will assist us to identify any specific issues relating to the preferred option, particularly during construction of a new bridge and highway realignment.

The new consultation phase seeks specific comments in relation to the following matters:

Any issues or concerns you might have with the proposal to replace the existing Gates of Haast Bridge with a new highway alignment and two-lane bridge,

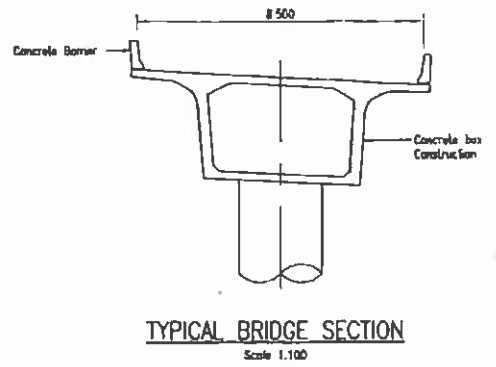
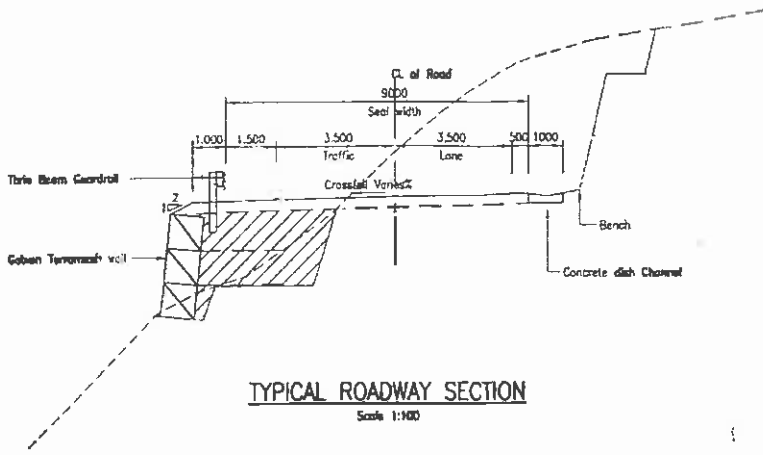
- Any specific expectations or concerns that may need to be considered during the design, or taken into account during construction of the proposed highway realignment and new bridge, and

- The importance of protecting, maintaining or enhancing the natural, historic, cultural or social values at the site with respect to any potential impacts of the proposal.

To assist you in providing any comments, we have enclosed a brief feedback form. We would be grateful if the form could be completed and returned to us via the enclosed reply-paid envelope by **28 November 2008**.

The project is being built

The option to realign the highway and construct a new two-lane bridge must now be assessed to determine how it will be constructed. The Scheme Assessment Report being undertaken by Opus will make a recommendation to the New



SECTIONS. Typical roadway and bridge.

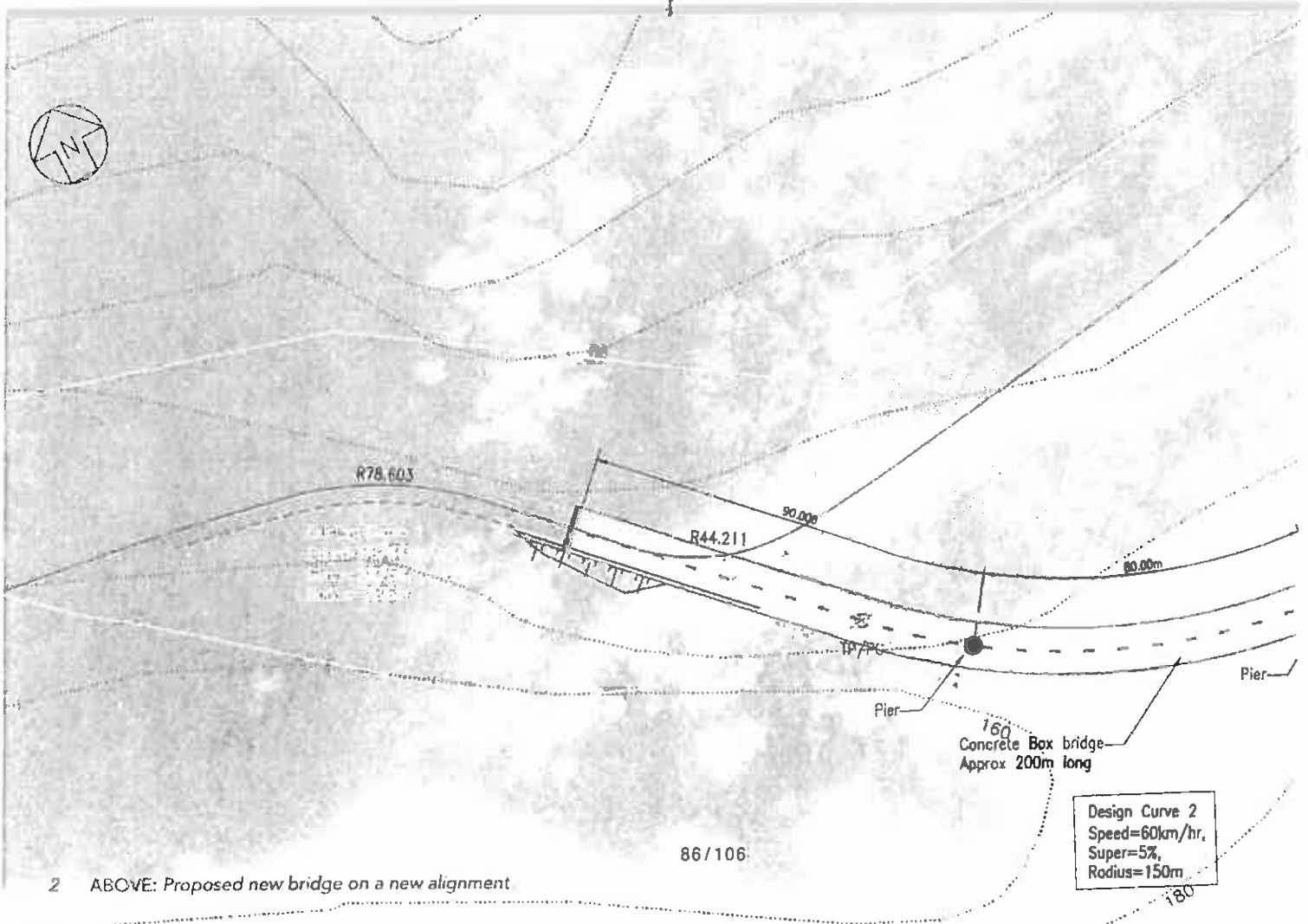
Zealand Transport Agency as to whether the option is feasible for construction.

Feedback which is received through this consultation process will be collated and incorporated into the

Scheme Assessment Report to provide input into the recommendation.

The Scheme Assessment Report has to be approved by the New Zealand Transport Agency before any decision

is made on funding and timing for construction. The design and construction of the proposed option is not included in the New Zealand Transport Agency current programme



2 ABOVE: Proposed new bridge on a new alignment

The project will be ranked nationally alongside all other New Zealand Transport Agency projects upon completion of the Scheme Assessment Report to determine its priority for construction. However, one of the key details to be addressed is the land requirement for the realignment and new bridge, as the proposed route lies outside of the current State Highway 6 designation. A Notice of Requirement will be lodged with the Westland District Council to alter the State Highway 6 designation by **28 November 2008**.

Background to the project

The Gates of Haast Bridge is located on State Highway 6, approximately 60km east of Haast. It is located within Mount Aspiring National Park and is in the Westland District Council local authority area.

The Gates of Haast Bridge is a single lane structure constructed in 1962. Network security is paramount at this site as the Haast Highway forms a vital commercial, social and tourist trail link

that connects the West Coast with the Otago and Southland regions. Closures of the highway have a severe adverse effect on the economic and social well-being of these regions.

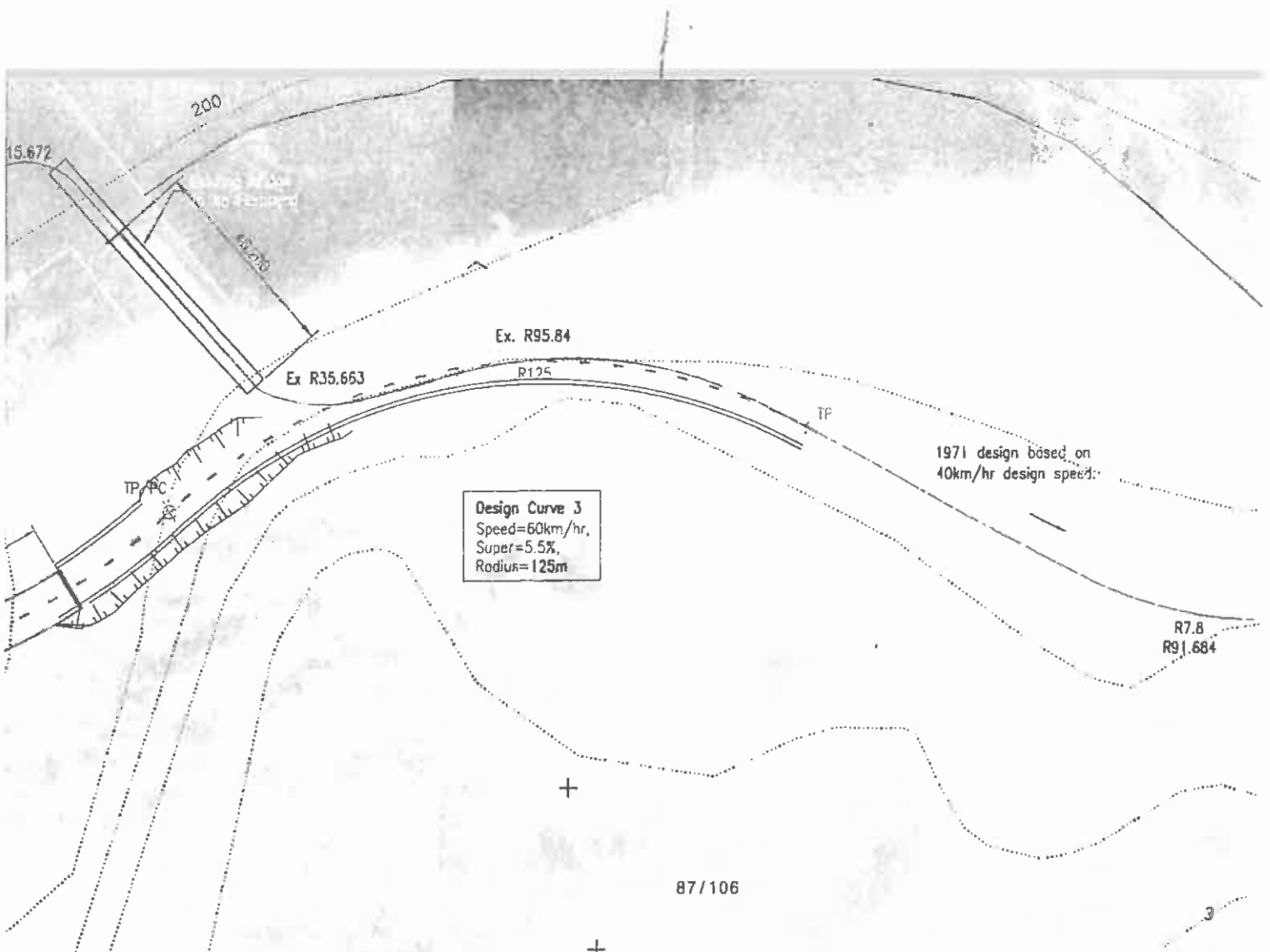
The road on the north side of the river is vulnerable as it is situated across a landslide. Movement of this landslide, along with river erosion and flooding, has resulted in the road being closed for repairs on a number of occasions in the past. The southern approach to the bridge has a tight curve which creates a safety issue. The main problems associated with the existing bridge are safety, network security, efficiency and maintenance cost issues.

The network security has been compromised on several occasions when the highway has been closed for extended periods following major flood events; movement of the Gates of Haast landslide on the northern approach; active erosion of the northern bank at the toe of the Gates of Haast slip from the high-energy Haast



River, and heavy vehicles colliding with and damaging the southern end of the bridge.

The proposed new bridge and highway alignment will reduce risks, improve the southern approach alignment and minimise the long-term road user and road maintenance costs. This is due to the new highway alignment being located





CURRENT: Gates of Haast Bridge



ARTISTS IMPRESSION: Future Gates of Haast Bridge

downstream from the existing bridge, in which the road will be formed in a cut through the rock bluff adjacent to the south end of the existing bridge. As a result, the new highway alignment and bridge bypasses the Gates of Haast landslide area and active river erosion/scour section,

thereby increasing the security of the route and reducing the ongoing high maintenance costs. The risk of a vehicle crash will also be reduced, due to the improved angle of the approaches to the wider, two-lane, bridge.

We welcome receiving your views including any concerns or expectations relating to the proposed Gates of Haast Bridge and highway alignment. We would appreciate if you could return the feedback form in the reply-paid envelope, by **28 November 2008**

Contact details

Chris Collins – NZ Transport Agency

Phone: 03 366 4455

Email: chris.collins@nzta.govt.nz

www.nzta.govt.nz

Steve Baker – Opus International Consultants

Phone: 03 363 5400

Email: steve.baker@opus.co.nz

Any correspondence can be forwarded to:

Opus International Consultants

PO Box 1482

Christchurch

From: Mary & Lindsay [mailto:chaos1@xtra.co.nz]
Sent: Tuesday, 11 November 2008 3:52 p.m.
To: Maureen Pugh
Subject: South Westland Lions Club Fishing Comp.
Importance: High

Dear Maureen and Council,

Regarding the South Westland Lions Fishing Competition 14 & 15 February 2008

The South Westland Lions Club would like to ask council to waive the Building Consent Fee for the erection of the marquee for our annual Salmon Fishing Competition.

We are a purely voluntary service group and any profit made after expenses goes to various charitable groups & organisations through the South Westland area.

Should you agree with this request, the South Westland Lions Club will acknowledge this on the Sponsorship Board which will be on display on site for the whole weekend.

Thanking you in anticipation,

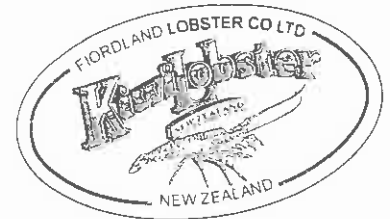
Yours faithfully,

Lindsay B. Molloy
President
South Westland Lions Club
P.O. Box 8,
Hari Hari



FIORDLAND LOBSTER CO. LIMITED

PO Box 92
Te Anau 9640
New Zealand
Ph. (03) 249-9760
Fax (03) 249-9769
Email: fiordlandlobster@xtra.co.nz



WHF 1.1

31 October 2008

The General Manager
Westland District Council
Private Bag 704
HOKITIKA

| | | | | | | | | | |
|----|----|-----|----|-----|----|-----|-----|-----|--|
| AL | AW | MFP | MO | MAC | MF | MPA | CSC | ENG | |
| | | | | | | | | | |

For: Rob Daniel

→ COUNCIL
- Nov. 08.

Dear Sir

Cray Fish Landed over Jackson Bay Wharf

I refer to your letter of 22 October 2008.

As we have already advised the Council, this company is not the entity landing crayfish at the wharf. So this company is not an entity which would pay any levy in respect of landings.

This company cannot provide you with information about vessel landings, because the Privacy Act only allows us to disclose such information if our fishermen consent to this.

So we are unable to assist you any further in this matter.

Any further correspondence in this matter should be sent to our lawyer whose details are:

Bryan Henderson
Anderson Lloyd
PO Box 201
QUEENSTOWN

Yours faithfully

Mike Schuck
CEO

WHF 1.1

Rob Daniel

22 October 2008

Mike Schuck
FIORDLAND LOBSTER
PO Box 92
TE ANAU

E

Ngāi Tahu Fisheries

Dear Sir

CRAYFISH LANDED OVER JACKSON BAY WHARF

We know that your company has received a substantial tonnage of crayfish over the Jackson Bay Wharf this season.

No returns have been provided by you to Council of crayfish landed, either with direct payment of \$300.00 per tonne levy or sufficient information on tonnage by vessel, with billing address, for Council to recover the levies owing.

As you are aware Council has spent considerable sums on maintaining the wharf as a critical asset to the fishing industry. It is essential that levies are paid for fish landed.

I look forward to your early reply.

Sincerely,

AGENDA
→ COUNCIL
NOVEMBER 08

R J Daniel
Manager Operations

RJD/KM

16 OCT 2008



**TIMBERLANDS
WEST COAST LTD.**



16 October 2008

Robin Reeves
General Manager
Westland District Council
Private Bag 704
Hokitika 7842

| | | | | | | | | |
|-------------------------------------|-----|-----|-----|--------|-----|-------------------------------------|-----|-----|
| GM | HWM | MPR | AND | MANAGE | INT | MAF | COO | ENG |
| <input checked="" type="checkbox"/> | | | | | | <input checked="" type="checkbox"/> | | |

el aguda.

Dear Robin

TRANSFER OF TIMBERLANDS WEST COAST ESTATE & MANAGEMENT TO THE MINISTRY OF AGRICULTURE & FORESTRY

You may be aware from an announcement made earlier this year that due to reduced volumes of trees available for harvest in Timberlands forest Government has decided to transfer the assets of Timberlands and the responsibility for management of the Timberlands estate to the Ministry of Agriculture & Forestry's Crown Forestry Group.

The formal date for the transfer will be 1 January 2009 and on that day, the responsibility for the ongoing management of the forests will transfer to Crown Forestry.

You have been identified as a party with some past and/or current interest in the forests and their management. This purpose of this letter is to provide:

- a) Some contact information for further information on the transfer and details of future management.
- b) An assurance that, in the immediate future at least (pending a review of the West Coast timber industry and replanting programmes), the management of the forests will be relatively unaffected by the change in ownership and management regimes.

Contact Information and Further Data on Crown Forestry:

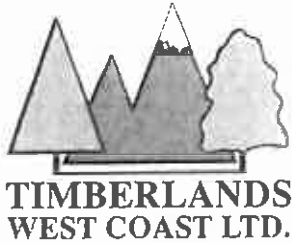
Any requests for information should be made to Warwick Foran, Operations Manager Crown Forestry in the first instance. Warwick can be contacted at:

Crown Forestry, MAFTel: 04-894 0394
PO Box 2526 Fax: 04-894 0379
Wellington Mob: 029-894 0394

Or emailed at: warwick.foran@maf.govt.nz

Crown Forestry is a business unit within the Ministry of Agriculture & Forestry that administers the Crown's interest in forestry leases on Māori land, residual Crown forest and other forestry assets. Prior to the transfer of the assets of Timberlands West Coast, Crown Forestry was responsible for managing 25 forests geographically spread throughout New Zealand's North Island. The total planted area of these forests prior to the transfer of the

Timberlands West Coast Ltd estate is 33,887 hectares with harvesting activity producing a projected annual cut of 1.1 million cubic metres.



Day to day operational management of the majority of the forest estate administered by Crown Forestry is contracted to forest management companies with business and strategic planning, audit and administrative functions carried out by Crown Forestry staff. It is anticipated that a similar (forest management contract) model will be used for the West Coast forests.

Further background on Crown Forestry can be found on the MAF website:
<http://www.maf.govt.nz/forestry/crown-forestry/>

Future Management Intentions:

Cabinet has requested that Crown Forestry report back in mid-2009 on the status of the West Coast timber industry and proposed replanting programmes. Until then, the harvesting, replanting and tending regimes currently employed by Timberlands West Coast Limited will continue unchanged.

Please contact Warwick Foran in the first instance if you require further information or clarification.

Yours sincerely

Phil Melhopt
CEO Timberlands West Coast Ltd

Charles Schell
General Manager Crown Forestry, MAF

fph

C/3 W/4

15 October 2008

The Chief Executive Officer
Buller District Council
PO Box 21
WESTPORT 7866

| | | | | | | | | |
|----|-----|-----|----|-----|----|-----|-----|-----|
| GM | HWM | MPR | MO | MAC | MF | MPA | CSC | ENG |
| ✓ | | | | | | ✓ | | |

cl agenda

The Chief Executive Officer
Westland District Council
Private Bag 704
HOKITIKA 7842

The Chief Executive Officer
West Coast Regional Council
PO Box 66
GREYMOUTH 7840

Dear Gary, Robin, Chris

REQUEST TO THE LOCAL GOVERNMENT COMMISSION

I understand that His Worship the Mayor Tony Kokshoorn had earlier given you a heads-up of his intention to seek a mandate from my Council to request the Local Government Commission to undertake an investigation into the abolition of the West Coast Regional Council and for the functions of that council to be undertaken by the three territorial authorities as unitary councils.

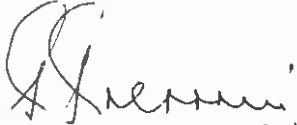
At its meeting on 13 October 2008, Council considered a motion put forward by Mayor Kokshoorn and resolved as follows :

1. *"Council agrees with the need to rationalise local government on the West Coast, based on the coast of four separate local authorities for a community of less than 35000 people.*
2. *Council acknowledges that creating a single unitary authority for the West Coast will probably be impractical given the vastness of the area involved, but that creating three unitary authorities with the functions of the West Coast Regional Council incorporated into the three existing territorial authorities and co-operative arrangements put in place to manage communal issues, i.e. Coastal Plan, etc. may well be a practical compromise.*
3. *Council seeks the co-operation of the Buller District Council, Westland District Council and the West Coast Regional Council for a formal approach to the Local Government Commission per the provisions contained in Schedule 6 of the Local Government Act 2002 to investigate the abolition of the West Coast Regional Council and the allocation of all duties, functions, assets and liabilities of that Council to the three West Coast territorial authorities to perform within their areas of jurisdiction and with communal issues, i.e. the Coast Plan, managed by means of a joint Council Committee.*

4. *CEO to send letter and the responses of the other West Coast local authorities be reported to Council as a basis for an approach to the Local Government Commission."*

Please provide me with the official response of your council to this approach. My council is well aware of the fact that the initiative is "dead" if all four Coast local authorities do not support the initiative.

Kind regards



PAUL PRETORIUS
Chief Executive Officer

left bank
art gallery 1 Tainui Street, Greymouth
phone 03 768 0038

email leftbank@paradise.net.nz

October 17th, 2008

Maureen Pugh
Her Worship The Mayor of Westland
Westland District Council
Private Bag 704
HOKITIKA

| GM | HWM | MPR | TE | MA | FR | HA | CS | ET |
|----|-----|-----|----|----|----|----|----|----|
| | ✓ | | | | | | | |

**RE: THE LEFT BANK GALLERY/WEST COAST SOCIETY OF ARTS
SUPPORTING WEST COAST ARTS**

Dear Mayor Pugh

I am writing on behalf of the West Coast Society of Arts (WCSA) which oversees the Left Bank Art Gallery in Greymouth. As the West Coast's regional art gallery, the only staffed community gallery on the coast, we would like to ask for support from all of the councils in the region in order to maintain the services we offer the local arts industry.

The Left Bank has historically fostered the arts across the entire West Coast, as the West Coast Society of Arts (1982) grew out of the Westland Art Society which operated in the 1940s. In order to meet our objectives of fostering, encouraging and teaching the arts across the Coast we organise free professional development workshops, painting, photography, at appreciation lectures, open to all, and many Westland artists attend these events.

We do appreciate that Westland has the Carnegie Gallery which displays local art, and in addition to this facility, the Left Bank Gallery exhibits and sells artwork from artists from Karamea to Haast, with many members and exhibiting artists from Westland.

In the last year we have exhibited:

- *Flow In and Mark Neilson from Ross*
- *Juergen Schacke, Charlotte Riley, Kerry Weston and Richard Penrose from Hokitika*
- *we have 79 members based in Hokitika, 6 members in Franz, 2 in Fox and 2 in Haast*
- *Our recent Electronet Trustpower Photographic competition featured entries from every corner of the West Coast, with amateur and professional photographers of all ages.*
- *The WCSA is a member of the Westland Arts Inc group (WAI) and we offer free publicity to all arts events on the coast including their activities in our newsletters and email artsflashes.*

In terms of financial support from councils, the Grey District Council supports the WCSA by paying our rates, lease and the maintenance of the outside of the building, and \$5000 a year to assist with operating costs, however, with rising costs for every

aspect of the gallery operations, we would like to secure the gallery's long term future by obtaining support from all of the West Coast councils. We are requesting an annual grant of \$5000 from each council to support the regional arts development that the WCSA and Left Bank Gallery perform on behalf of all West Coast artists.

You may have read in the Grey Star this week the Grey District Council has added a five thousand dollar loan to our funds as we are facing a short term funding shortfall from Creative New Zealand. If we are able to gain further funds from regional councils we will have a more financially viable future for the gallery, art society and its activities. We have a fully booked exhibition programme fro 2009 and bookings for 2010 already, including individual artists from all over the Coast, and a gallery selected exhibition of top West Coast artists to show in the region, then to tour other cities in the South Island as the 2007 Out of the Rain exhibition did.

LEFT BANK ART GALLERY'S IMPORTANCE:

Our importance is confirmed by the services and products we provide that represent artists from the entire West Coast:

Visitor numbers (12,000 so far this year) reflect our popularity as a tourist and local cultural attraction, and we are open seven days a week all year as a service to visitors

- We provide employment for five local people, (2.5 FTEs), one full time, and four part time, three of these are artists*
- We present the biennial New Zealand Pounamu/Jade Carving awards, coming up in February 2009, an event that many West*
- We are willing to consider new options such as a long term partnerships with organisations such as the Grey, Buller, Westland and Regional councils, and longer term corporate sponsorships to ensure the future of the gallery in the West Coast community.*
- The Left Bank Gallery has the position of being the only regional community gallery with professional staff, a regular exhibition programme and promotion, and it requires support from its region to deliver these services.*
- We are competing for council and corporate funds against the two local pool complexes (Greymouth Aquatic centre and the Rununga pool)*
- The significance of this organization's existence in order to promote and support local art and artists cannot be underestimated. Artists rely on us to sell their work, and to be able to promote their careers by offering exhibitions on a monthly basis.*

- The gallery falls under Council policies for both:*
- Community wellbeing and*
- Arts, culture and heritage*

The gallery fosters local talent, and provides a cultural centre for the West Coast with visual and performing arts (painting, pottery, photography, poetry, music), and many community groups exhibit in the gallery.

The activities of the West Coast Society of Arts with the Arts Project add to the arts and crafts industries of the West Coast, providing an essential source of economic benefit to the region with exhibition and shop sales, national exhibitions such as Out

of the Rain, the Pounamu/Jade biennial awards, and a network of over 400 members and artists on the database of arts contacts to share arts information.

WEST COAST TOURIST ATTRACTION – CULTURE:

The Left Bank Gallery is one of the few inner city tourist attractions that is easily accessible to all visitors, be they local, national or international, they all find their way into the gallery for “something to do” and the ideal spot to get a snap shot of local west coast “culture”, as we have three things to offer every visitor:


- the unique NZ POUNAMU/JADE COLLECTION featuring local and national top quality examples of carving and pounamu samples*
- the two changing exhibition galleries, the Main Gallery and The Vault*
- and the retail shop area used on a daily basis for souvenirs, gifts and more significant art purchases by locals and tourists*

SHOWCASE FOR IMPORTANT WEST COAST TREASURES:

The Left Bank Gallery is the proud holder of many significant artworks by local artists (alive and deceased) such as Yvonne Rust, Toss Woollaston, Olivia Spencer Bower, Tony Manuel, and Stanley Palmer amongst others. This collection forms part of our reason for existing, and is important for local culture and history as items from the permanent collection are regularly displayed for visitors and locals to enjoy.

If we can obtain more support from councils we will be able to offer more community based exhibitions and events, such as school student and touring exhibitions, as currently we are pressured by commercial demands to generate income from exhibition and shop sales. I hope you are able to consider our application for financial support on an annual basis and discuss it at an upcoming Council Meeting. I look forward to your response.

Yours sincerely



*Linda Atkins
Director
West Coast Society of Arts
1 Tainui St
GREYMOUTH
DD 03 7689175*



30 October 2008

EC 25 00

MEMORANDUM

To: CHIEF EXECUTIVES
Cc:
From: Colin Drew - Senior Policy Analyst, Infrastructure & Development
Subject: Freedom Camping Update

Purpose:

1. To update councils on activities related to addressing freedom camping concerns.
2. Request that councils support industry efforts to manage freedom camping activities, particularly in relation to access to relevant local information.

This memo will be of interest to environmental planners and inspectors, information centre managers and tourism staff.

Background:

In December 2007 a group of organisations and tourism businesses (primarily campervan rental companies) partnered with the aim of curbing the negative impact of freedom camping in the wrong places and/or without concern for the environment. Your local government representatives on that group are:

Murray Brass..... Clutha District Council
Maureen Pugh Westland District Council
Colin Drew Local Government New Zealand
Kevin Heays..... Kaikoura District Council
Paul Wilson..... Queenstown Lakes District Council

Progress has been made on a number of fronts, although issues such as formal identification of camper vans with certified on-board facilities have yet to be finalised. In the interim we are requesting further monitoring of freedom camping activities this summer season and supporting industry efforts to ensure that campers have access to necessary information.

Progress to Date:

3. General Principles - a principled approach was developed and agreed by the forum. These principles were adopted by Zones 5 and 6 and have been shared with some North Island councils who are reviewing their freedom camping policies.
4. Tourism NZ is introducing a messaging campaign with i-site network.
5. Relevant information (eg, dump sites, care code) will progressively be included in traditional visitor guides.

MPA - cl agenda

6. A "No Camping" sign will be gazetted by the end of the month, thus giving national standardisation and recognition by the Transport Agency.
7. The camper van industry have simplified and prioritised the camping and environmental protection material and messaging provided to customers.
8. A website with freedom camping information has been developed to which people can be referred. This will be expanded over time.

Further Projects:

9. Campervan Identification - getting a formal camper van on-board facilities certification and identification process instigated will take further time. The Ministry for the Environment is receptive to reviewing the current standards for on-board facilities and subsequent registration process. In the interim the NZ Motor Caravan Association will work with the major camper van companies on developing a temporary identification regime, hopefully to be in place for this summer season.
10. There has been a call for more powers to give significant instant fines to freedom campers caught dumping waste or causing damage. This idea will be progressed.

Actions for Councils to Take:

For our visitors to fully adopt responsible camping practices, freedom camping dos and don'ts, in your area, must be well communicated to and understood by your communities.

It is critical that representatives from the council meet with staff from local i-SITE centres, Department of Conservation (DOC) visitor centres and commercial camping grounds to ensure that staff in these places, have the right information to give campervan visitors.

The key message being promoted to visitors is:

'As you travel around New Zealand in your campervan, ensure you ALWAYS check with locals about where you can park overnight. Good places to ask for local information are: Information Centres (i-SITES); Department of Conservation Visitor Centres; camping grounds.

Assume nothing - always check first.'

To help spread this and other 'responsible camping' messages we are working with the three agencies identified above to ensure they can answer key campervan-user questions e.g.: where am I allowed to camp overnight, and where are public dump stations and recycling facilities located?

In addition campervan companies are playing their part in getting the right messages through to visitors before they set off on the road and if possible, before they leave home.

Even with our combined efforts we realise that some level of enforcement will be necessary. However, by agreeing on key messages and ensuring every effort is made to inform our visitors we can reduce the level of enforcement to a minimum.

Attached is a checklist that can be provided to information points, to ensure that they have the necessary understanding and information requested by campers.

Please contact Colin Drew at colin.drew@iqnz.co.nz or Geoff Ensor at the Tourism Industry Association geoff.ensor@tiaz.org.nz for any further information.

Enc. 1

Responsible Camping

In December 2007 a group of organisations and businesses partnered with the aim of curbing the negative impact of freedom camping in the wrong places and/or without concern for the environment.

A checklist for:

i-Site Information Centres DOC Visitor Centres Holiday Parks

Do you know the local freedom camping rules?

Can you direct visitors to -

- Freedom camping areas which have the support of the local community/council
- Holiday parks & camping grounds
- DOC camping grounds
- i-Site Information Centre
- Public dump stations
- Recycling Facilities
- Public Toilets

It is critical that you can provide accurate advice to visitors on camping opportunities and facilities in your regions. Your information will be supported by signage, campervan information packs and other initiatives, but the advice you give is undoubtedly the most effective way to influence positive change.

The checklist is to help you ensure that you have the answers for our campervan visitors. We need your support and assistance to help protect our environment.

If you are a first port of call to find this information, we suggest you contact the planning division of your local council.

The guardianship and sustainable management of natural, built and cultural resources for the collective benefit of current and future generations.

New Zealand Freedom Camping Forum Members: Tourism Industry Association New Zealand, Local Government New Zealand, Tourism New Zealand, Regional Tourism Organisations New Zealand, New Zealand Transport Agency, Ministry for the Environment, Keep NZ Beautiful, Youth Hostel Association, Holiday Accommodation Parks New Zealand, Maori Tourism Council, AA Tourism, Ministry of Tourism, New Zealand Motor Caravan Association, Department of Conservation, New Zealand Police, United Campervans, Tourism Holdings Ltd (Maui, Britz and Backpacker rentals), KEA Campers NZ, Jucy NZ, Wicked Campers, Spaceships NZ.



SITE

7 October 2008

13 OCT 2008

Robin Reeves
Westland District Council
Private Bag 704
HOKITIKA

| | | | | | | | | |
|-------------------|-----|-----|----|-----|----|-----|-----|-----|
| GM | HWM | MPR | MO | MAC | MF | MPA | CSO | ENG |
| <i>[initials]</i> | | | | | | ✓ | | |

ci agenda.

Dear Robin

THE FUTURE OF PEST MANAGEMENT IN NEW ZEALAND

The Ministry of Agriculture and Forestry (MAF) is responsible for leading and co-ordinating pest management in New Zealand. MAF recently commissioned an independent think piece on the future of pest management in New Zealand to stimulate discussion on the issue, and to help inform development of a national strategy to guide pest management activity in New Zealand. The think piece has now been completed, and is available on the MAF Biosecurity New Zealand website at <http://www.biosecurity.govt.nz/pests/surv-mgmt/mgmt>.

Separately, regional councils have also established their collective view on 'The Future of Pest Management in New Zealand: A Think Piece'. A link to their report is also available at the above website.

MAF considers that the two reports provide useful commentaries on issues facing pest management in New Zealand. MAF has not, however, formed a view on the recommendations in the reports.

Background

The MAF-commissioned think piece was prepared by the Law and Economics Consulting Group (LECG) and consultant John Hellstrom, with a steering group of Department of Conservation, MAF and regional council representatives, supported by an expert reference group. However, the think piece is an independent report which does not purport to represent government policy or the views of central government biosecurity agencies.

The regional council-commissioned report consolidates the regional view on how to improve New Zealand's pest management arrangements. It was prepared by EnFocus. The two documents have informed each other during development.

The documents are not formal discussion documents, but they are intended to be provocative and stimulate discussion amongst pest management stakeholders.

Key issues and proposed solutions

The two reports consider issues with the current system and options for improvement. Six of the key issues and suggestions for addressing these issues from the two reports are summarised below. The reports also include a number of other issues and recommendations for improving pest management.



| | Summary of key issues and reports' suggestions | Report references |
|-------------|---|---|
| Issue 1 | Overall roles and responsibilities not clear | LECG: 5.1 regional council: 5.2.8 |
| Suggestion | <i>LECG and regional councils:</i> Clarify roles and responsibilities for pest management and prescribe these in legislation | LECG: 7.2.3 regional council: 6.2.9 |
| Issue 2 | Crown is not obliged to act as a "good neighbour" landowner | LECG: 6.2 regional council: 6.2.3 |
| Suggestions | <i>LECG:</i> The Crown should be required to comply with any pest management requirements introduced by central Government, at least at the boundary of Crown land. <i>Regional councils:</i> The Crown should be bound by regional pest management strategies, at least to the extent to which pests spread on to and affect neighbouring land. | LECG: 7.2.2 regional council: 6.2.3 |
| Issue 3 | Individual landowners do not take into account the impacts their pest management decisions have on their neighbours | LECG: 5.2 regional council: 6.2.3 |
| Suggestions | <i>LECG:</i> Introduce a "freedom from pests" property right. <i>Regional councils:</i> A clearer statutory duty on land owners to take responsibility for the spread of pests from their land is needed. | LECG: 7.2.1 regional council: 6.2.3 |
| Issue 4 | Collective action is needed but is not being taken often enough | LECG: 5.2 regional council: 6.2.2 |
| Suggestion | <i>LECG and regional councils:</i> Remove barriers and review possible incentives to voluntary collective action on pests. | LECG: 7.1.1, 7.1.2 regional council: 6.2.2 |
| Issue 5 | Legislative tools in the Biosecurity Act are too rigid and not fit for purpose | LECG: 5.3 |
| Suggestion | <i>LECG and regional councils:</i> The Biosecurity Act should be reviewed to provide greater flexibility to regional councils and central government agencies. | LECG: 7.2.2 regional council: 6.2.4 |
| Issue 6 | There are risks to the availability of physical control tools for pest management | LECG: 5.4 |
| Suggestions | <i>LECG:</i> Make MAF (or another agency) the pest management toolbox manager, to ensure that tools are available to use and are used appropriately. <i>Regional councils:</i> Ongoing good science to underpin effective pest management tools is needed. | LECG: 7.1.3 regional council: |

Next steps

The two reports have identified some ideas for improving the effectiveness of the pest management system, but some of the suggestions require significantly more analysis than provided in the reports. Groups with an interest in pest management may also identify additional issues or propose different options to those suggested in the reports.

The MAF-commissioned think piece will be presented at the New Zealand Biosecurity Summit on 5 November 2008. MAF will be holding workshops in February and March 2009 with interested stakeholder groups to get feedback on the findings of both reports and on the pest management system itself.

A list of the organisations that have been contacted is enclosed. If you know of other organisations that might be interested please email pestmanagementgroup@maf.govt.nz.

The workshops will be looking at matters such as:

- Are the issues identified in the two reports the right issues to focus on?
- Would the reports' suggestions resolve these issues?
- Are the reports' suggestions workable?
- Are there other solutions that have not been considered?
- Are there other issues that have not been considered? How might these be resolved?

Working with the regional councils and unitary authorities involved in pest management will be a major component of the process to improve the pest management system. MAF has also identified a number of city and district councils as having a demonstrated interest in and knowledge of pest management and biosecurity issues. We will be inviting Auckland City Council, Thames–Coromandel District Council, Wellington City Council and Waimakariri District Council to participate in the workshops to provide a perspective of the issues faced by city and district councils.

Following the workshops, MAF will begin a process of developing a national strategy for future pest management.

As mentioned above, links to the LECG report and the regional council report are available on the MAF Biosecurity New Zealand website at: <http://www.biosecurity.govt.nz/pests/surv-mgmt/mgmt>. If you would like a hard copy posted to you, please email pestmanagementgroup@maf.govt.nz.

Yours sincerely



Peter Thomson
Director Post-Border

| Organisation | Organisation |
|--|--------------------------------------|
| AgResearch | Ashburton District Council |
| Animal Health Board | Auckland City Council |
| Aquaculture New Zealand Limited | Buller District Council |
| AsureQuality Limited | Carterton District Council |
| Auckland University School | Central Hawke's Bay District Council |
| Cawthron Institute | Central Otago District Council |
| Dairy Companies Association of NZ | Chatham Islands Council |
| DairyNZ Limited | Christchurch City Council |
| Deer Industry New Zealand | Clutha District Council |
| Ecologic Foundation | Dunedin City Council |
| Ensis | Far North District Council |
| Environmental Science & Research Ltd | Franklin District Council |
| Federated Farmers Bees | Gisborne District Council |
| Federated Farmers New Zealand | Gore District Council |
| Federation of Maori Authorities Inc. | Grey District Council |
| Fish & Game New Zealand | Hamilton City Council |
| Fonterra Cooperative Group Ltd | Hastings District Council |
| Golder Kingett Mitchell Ltd | Hauraki District Council |
| Greenpeace Aotearoa NZ | Horowhenua District Council |
| Gribbles Veterinary Pathology Ltd | Hurunui District Council |
| Horticulture New Zealand | Hutt City Council |
| HortResearch New Zealand | Invercargill City Council |
| Landcare Research New Zealand Limited | Kaikoura District Council |
| Lincoln University | Kaipara District Council |
| Local Government New Zealand | Kapiti Coast District Council |
| Marina Operators Association | Kawerau District Council |
| Maritime New Zealand | Mackenzie District Council |
| Massey University Institute of Veterinary, Animal & Biomedical Sciences | Manawatu District Council |
| Massey University Institute of Natural Resources | Manakau City Council |
| Meat and Wool New Zealand | Marlborough District Council |
| Meat Industry Association of New Zealand (inc) | Masterton District Council |
| National Animal Welfare Committee | Matamata-Piako District Council |
| National Beekeepers' Association of New Zealand | Napier City Council |
| National Institute of Water and Atmospheric Research Ltd | Nelson City Council |
| New Zealand Biosecurity Institute | New Plymouth District Council |
| New Zealand Ecological Society Inc | North Shore City Council |
| New Zealand Farm Forestry Association Inc. | Opoitiki District Council |
| New Zealand Feed Manufacturers Association; Poultry Industry Assoc of NZ and Egg Producers Federation of New Zealand | Otorohanga District Council |
| New Zealand Forest Owners Association Inc | Palmerston North City Council |
| New Zealand Fresh Produce Importers Association Inc | Papakura District Council |
| New Zealand Grassland Association Inc | Ponrua City Council |
| New Zealand Institute for Crop & Food Research Ltd | Queenstown Lakes District Council |
| New Zealand Institute of Forestry Inc | Rangitikei District Council |
| New Zealand Marine Sciences Society | Rodney District Council |
| New Zealand Native Forests Restoration Trust | Rotorua District Council |
| New Zealand Pig Breeders Association | Ruapehu District Council |
| New Zealand Pork Industry Board | Selwyn District Council |
| New Zealand Salmon Farmers Association | South Taranaki District Council |
| New Zealand Seafood Industry Council Ltd | South Waikato District Council |
| New Zealand Stock and Station Agents Assn | South Wairarapa District Council |
| New Zealand Veterinary Association Inc | Southland District Council |

| | |
|--|--|
| New Zealand Winegrowers Association | Stratford District Council |
| Ngali Hine Health Trust | Tararua District Council |
| Ngali Porou Whanui Forests Ltd | Tasman District Council |
| Nursery and Garden Industry Association | Taupo District Council |
| Organics Aotearoa New Zealand | Tauranga City Council |
| University of Otago | Thames-Coromandel District Council |
| University of Otago | Timaru District Council |
| University of Otago | Upper Hutt City Council |
| Pest Management Association of New Zealand | Waikato District Council |
| Royal Forest & Bird Protection Society | Waimakariri District Council |
| Tatua Co-operative Dairy Company | Waimate District Council |
| Te Ohu Kaimoana | Waipa District Council |
| Te Runanga o Ngai Tahu | Wairoa District Council |
| Te Runanga O Whaingaroa | Waitakere City Council |
| The Environment & Conservation Organisations of Aotearoa New Zealand | Waitaki District Council |
| The Soil & Health Association of New Zealand Inc | Waitomo District Council |
| University of Canterbury | Wanganui District Council |
| University of Waikato | Wellington City Council |
| Veterinary Council of New Zealand | Western Bay of Plenty District Council |
| Victoria University | Westland District Council |
| Waikato Raupatu Trustee Company Ltd | Whakatane District Council |
| Westland Milk Products | Whangarei District Council |
| WWF-New Zealand | |